

# Steering Wheel Button Color Kit



ASETEK  
SIM SPORTS®

# **Table of contents**

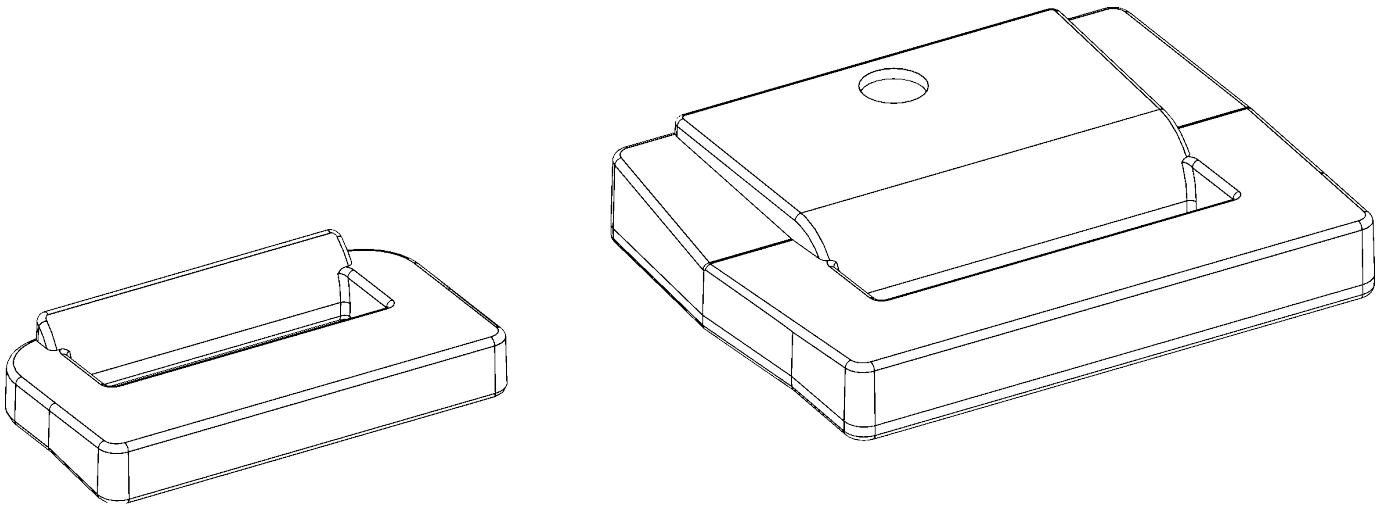
- **Handle Cushions**
- **Quick Release Latch Sticker**
- **Button Caps**

# Handle Cushions:

## Tools needed:

2,5 mm Allen key - for removing shifters 

Torx T20 screwdriver - for removing handles 

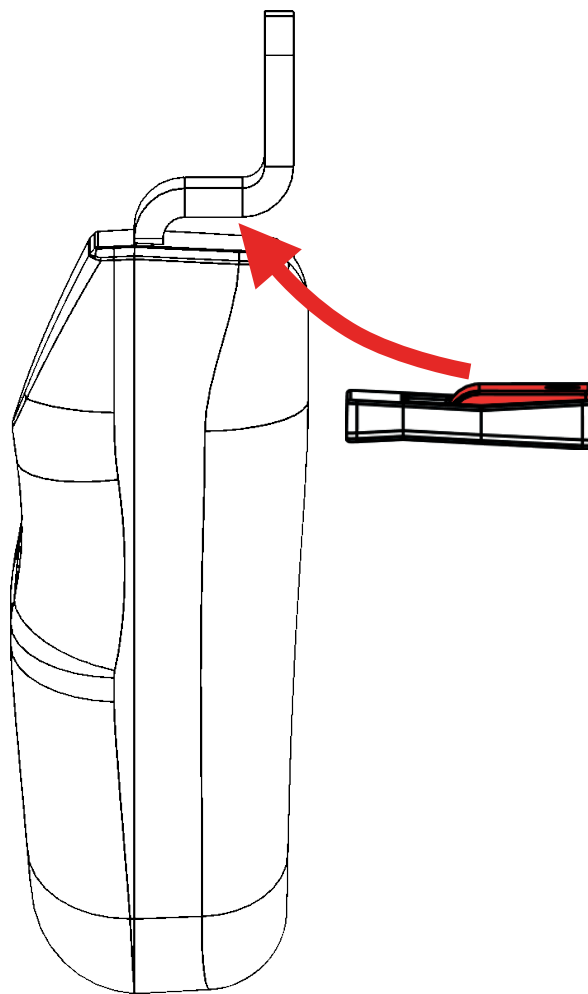
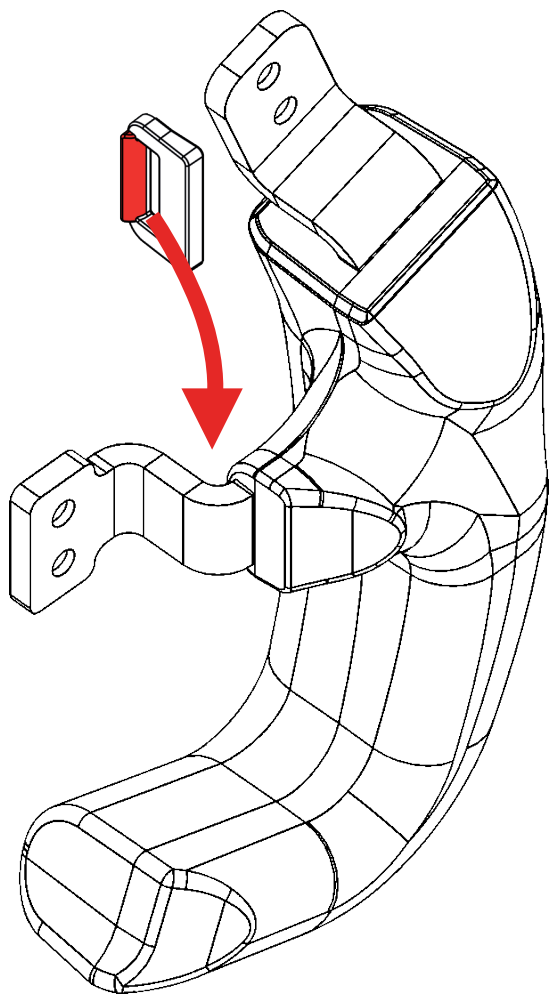


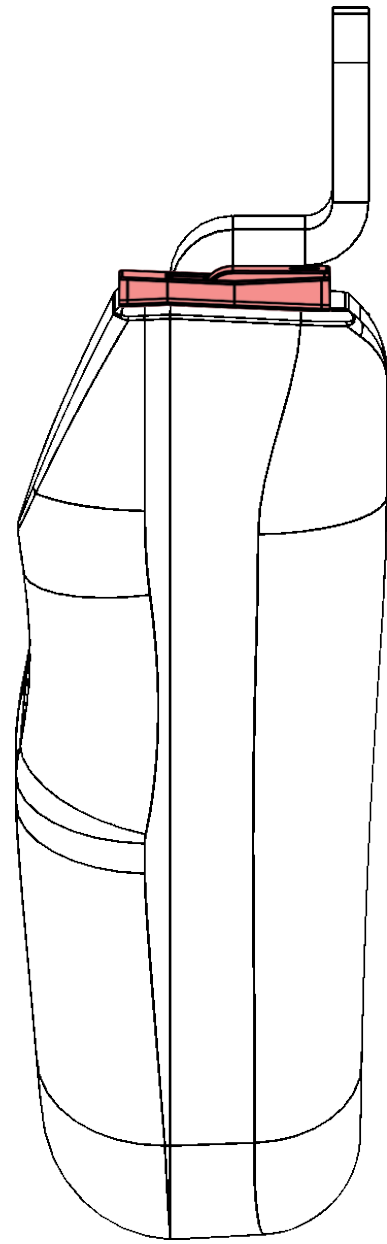
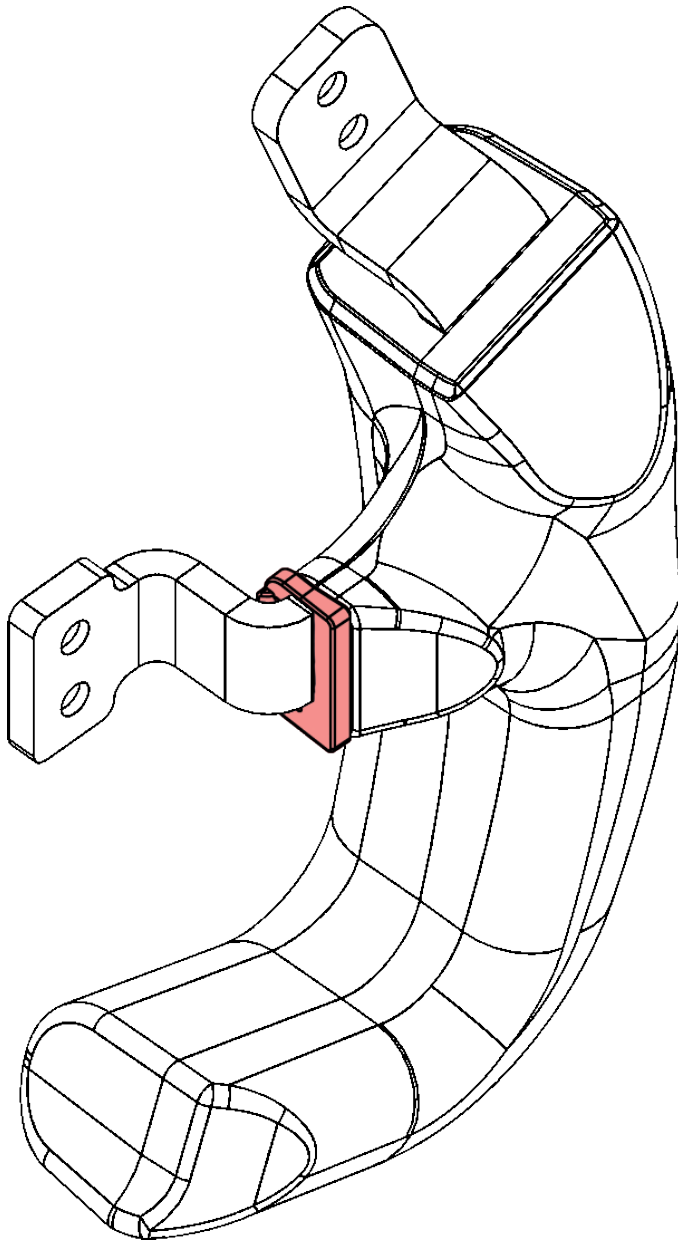
## Notice:

- The handles and wheel used in these illustrations are just an example and yours may vary.
- If your handle is attached to your wheel, you'll need to dismount it before moving to step one.
- You'll need to remove the shifter in order to dismount the handles

## Step 1:

Place your preferred handle cushion on your handle. Make sure the plastic bump is facing the metal.

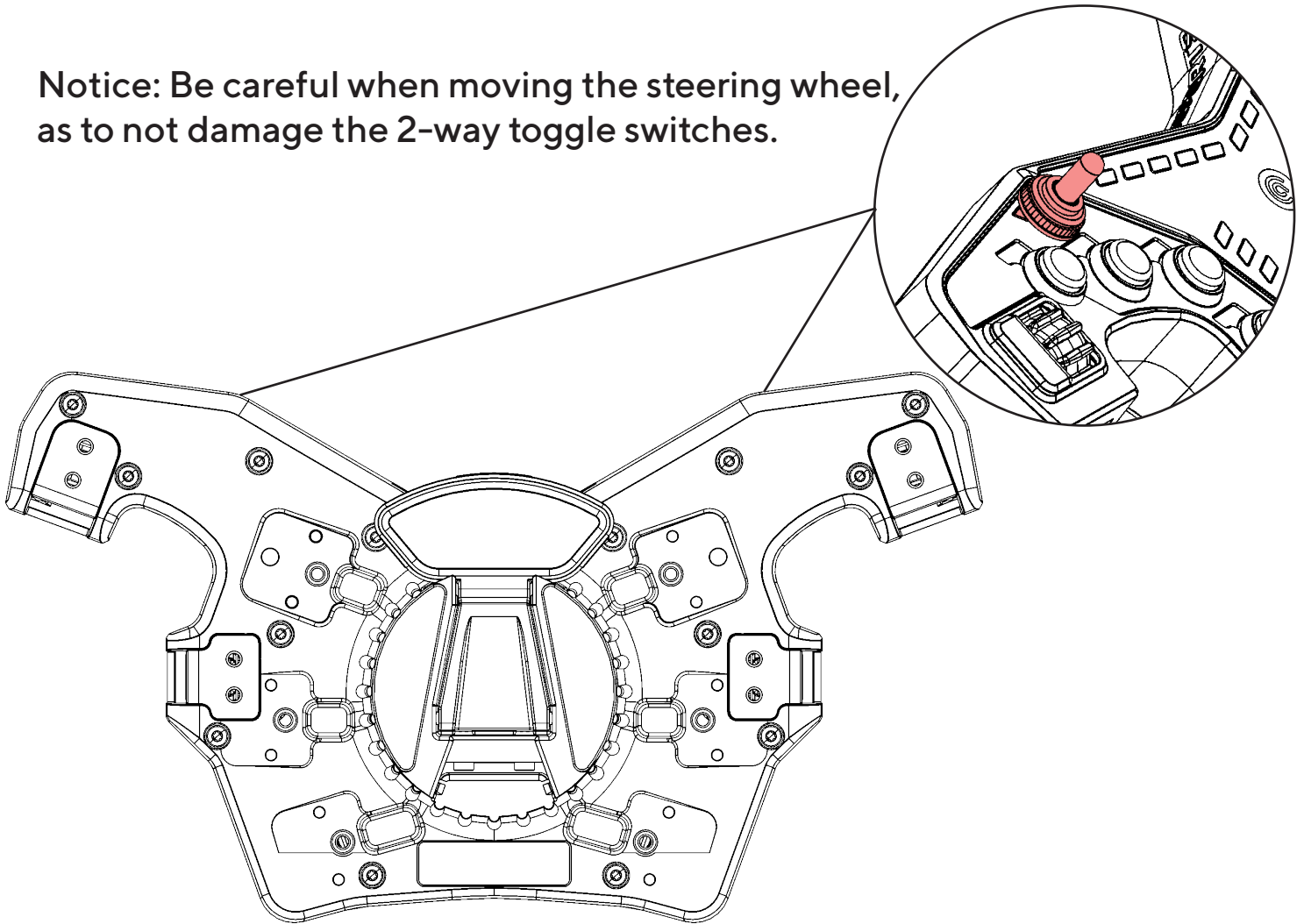




## Step 2:

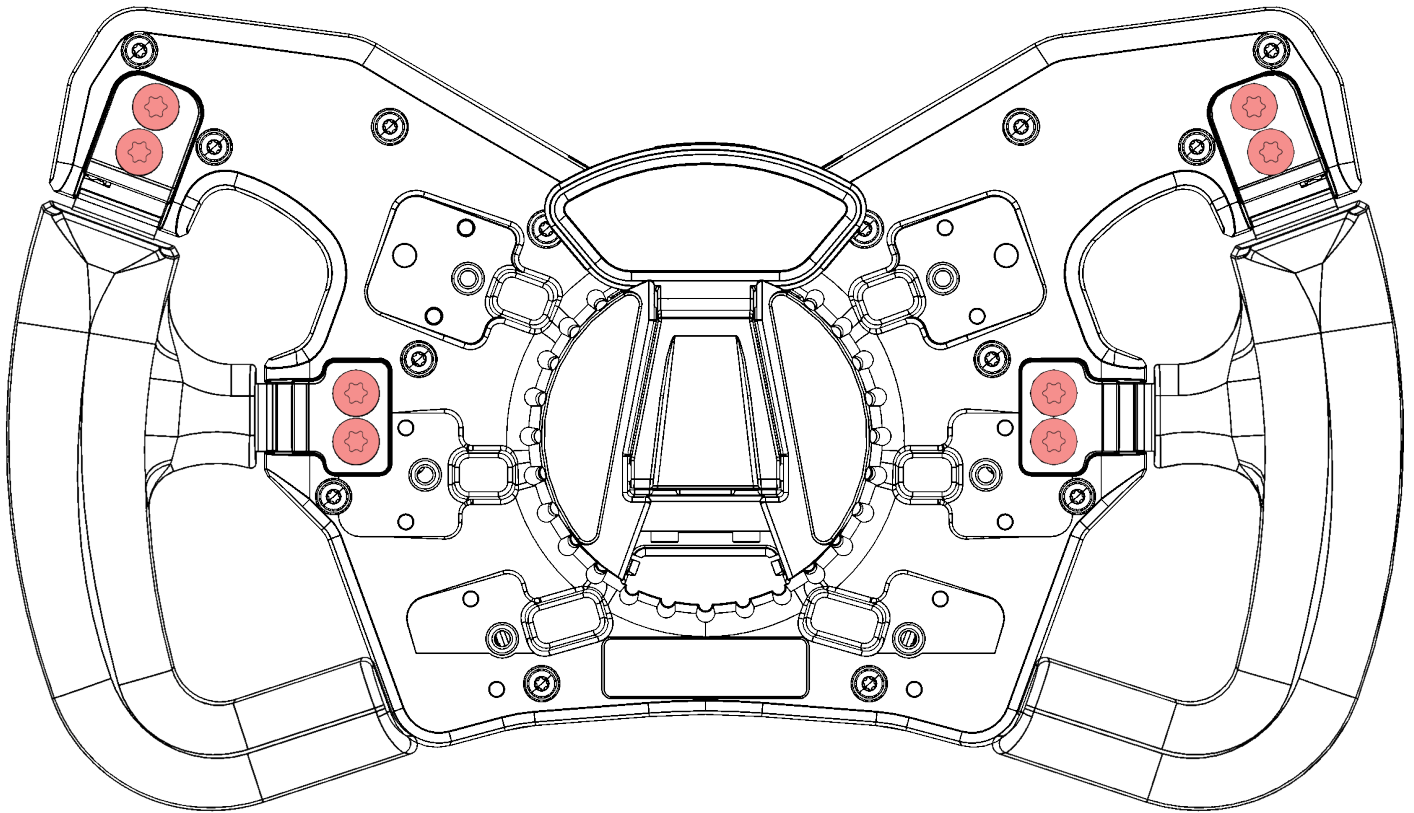
Place your steering wheel facing down - for example in the box it came in.

Notice: Be careful when moving the steering wheel, as to not damage the 2-way toggle switches.



### Step 3:

Place your handles on your formula steering wheel and tighten the Torx T20 screws to secure it in place.

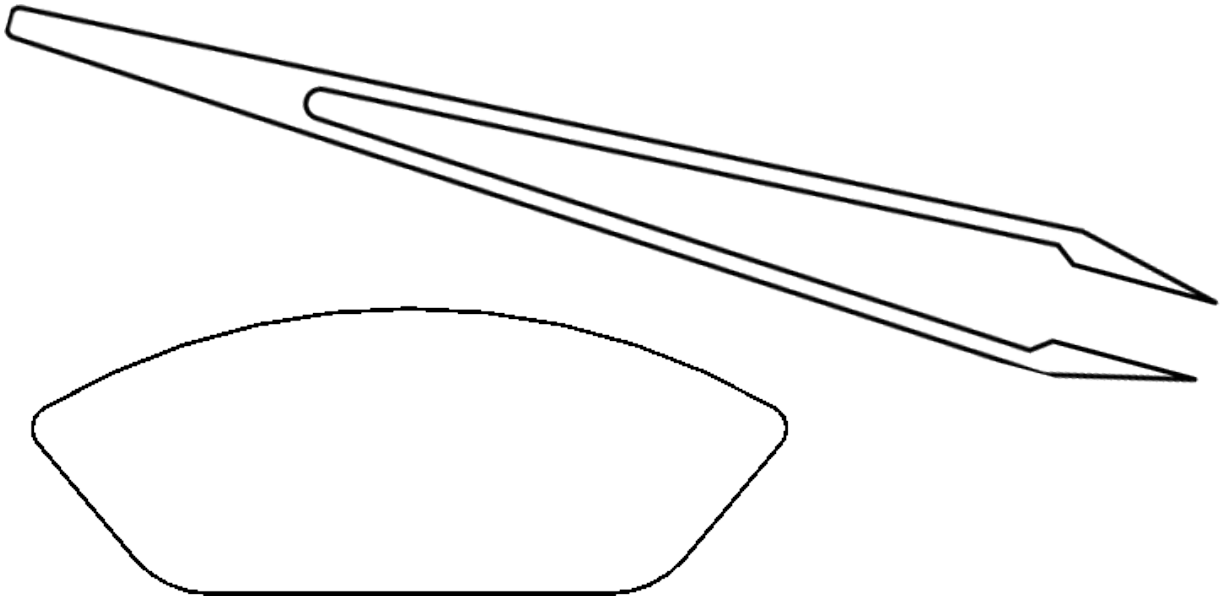


Notice: Be careful not to overtighten.

# Quick Release Latch Sticker:

## Tools needed:

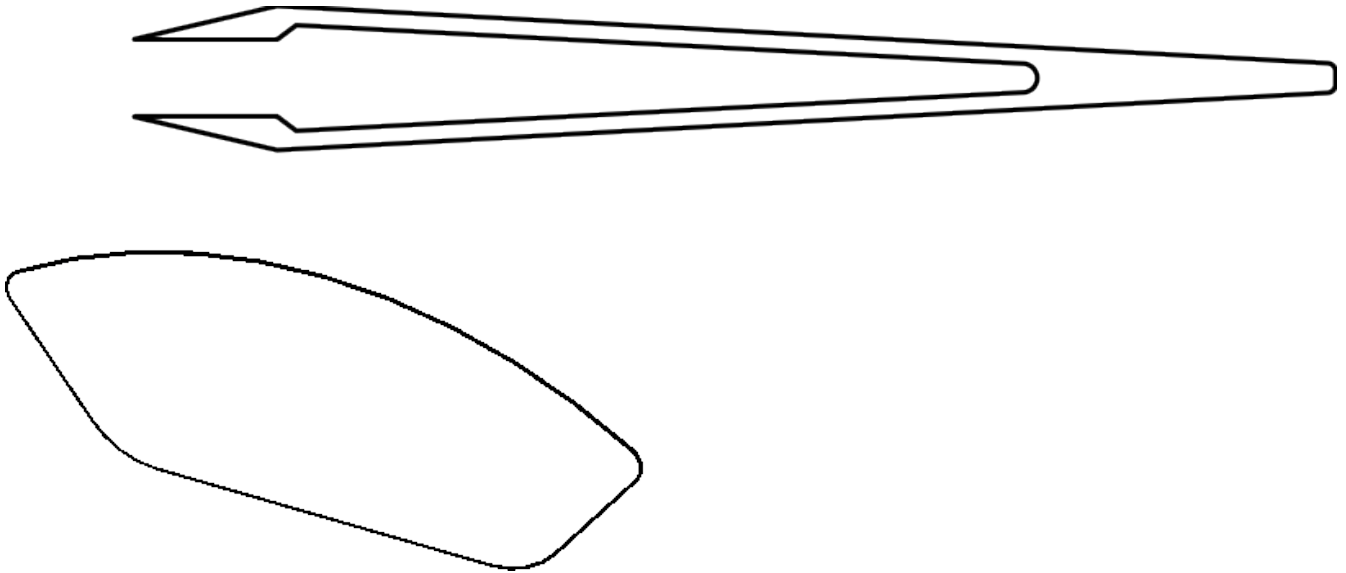
Carbon Fiber Tweezer (included)





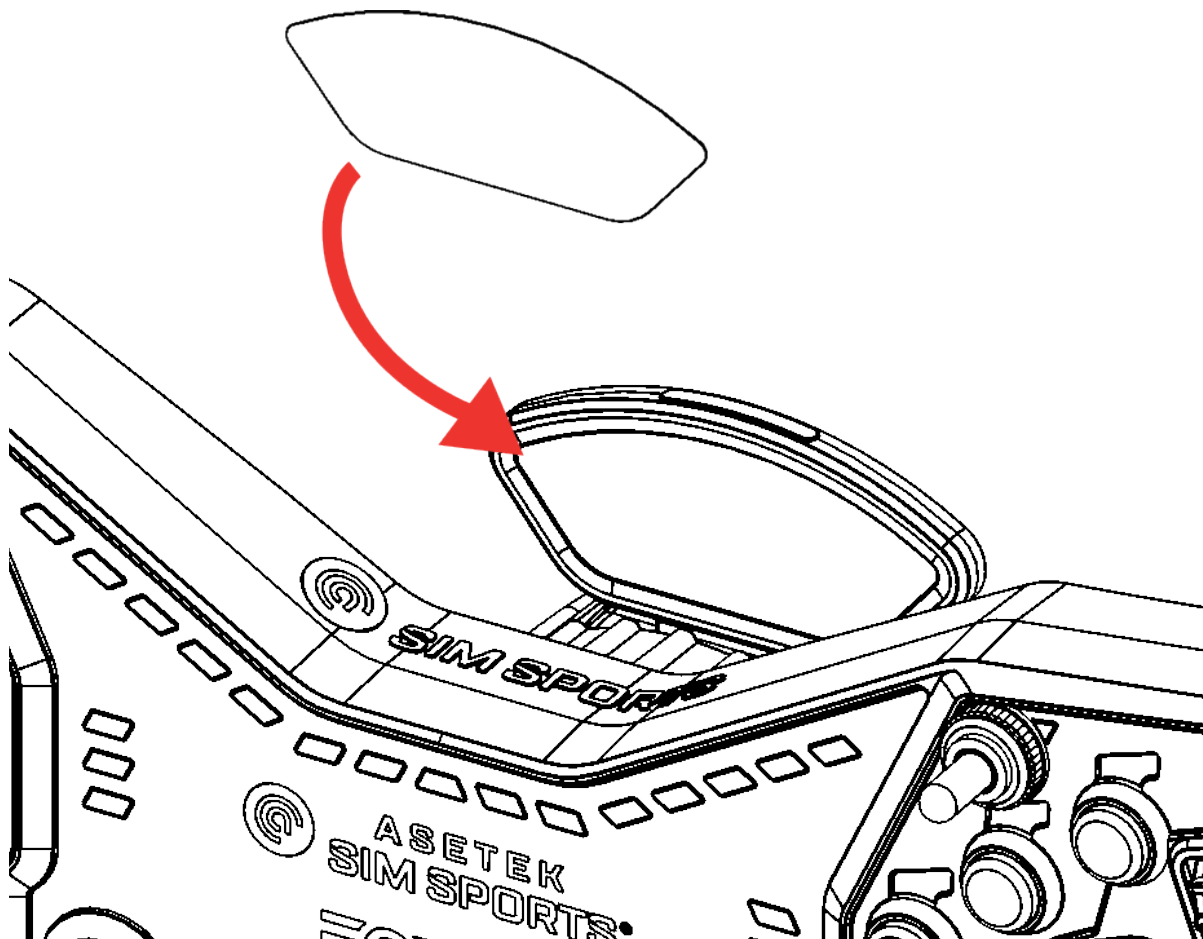
## Step 1:

Grab your preferred color QR latch sticker with the carbon fiber tweezer.



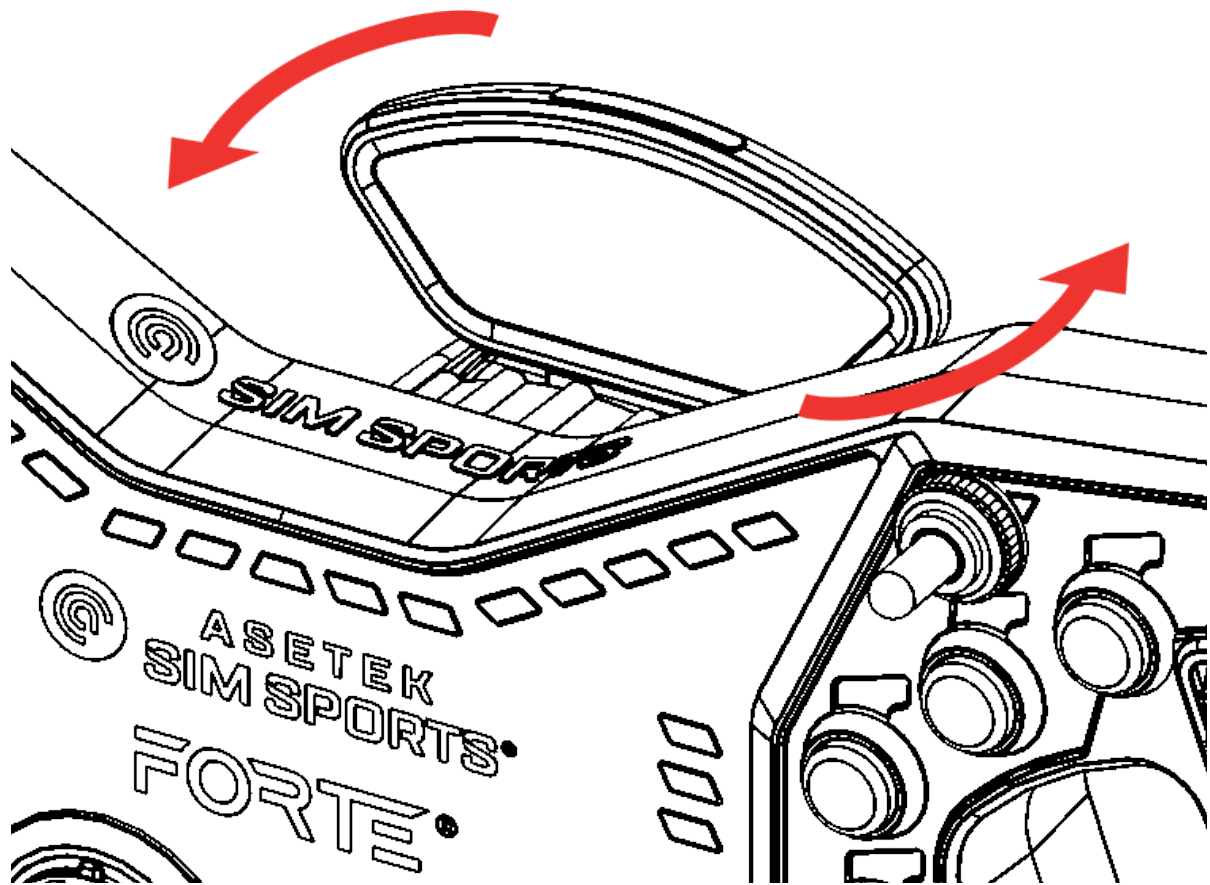
## Step 2:

Carefully place the QR latch sticker on the QR latch.



### Step 3:

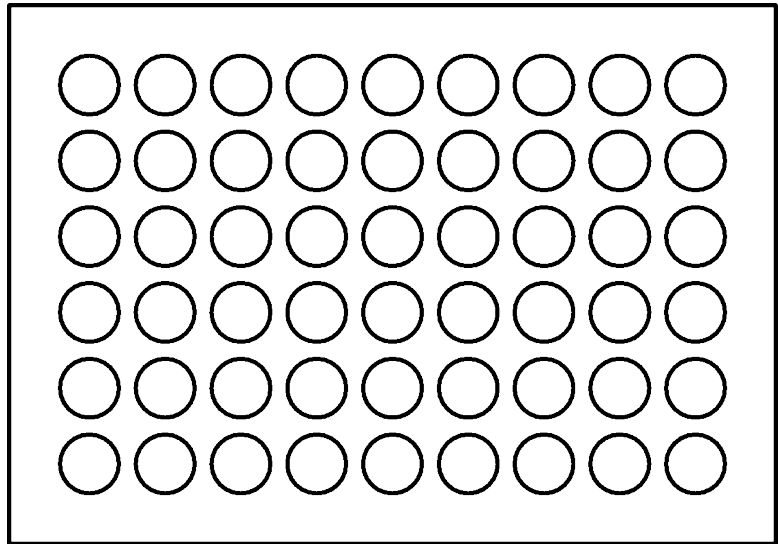
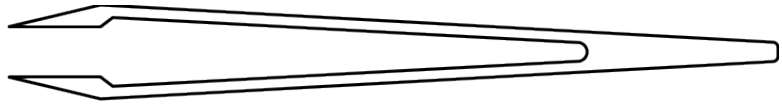
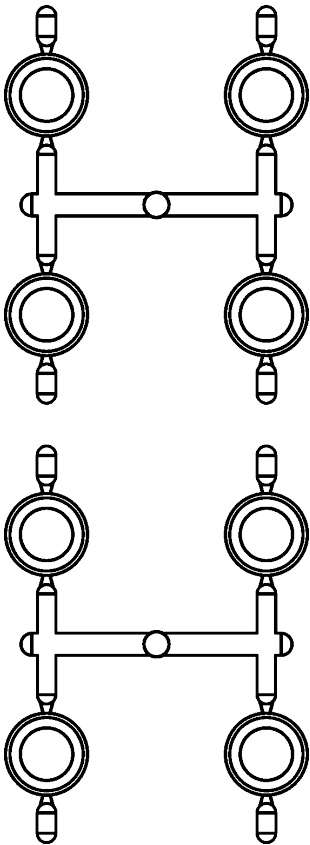
Repeat on the other side.



# Button Caps:

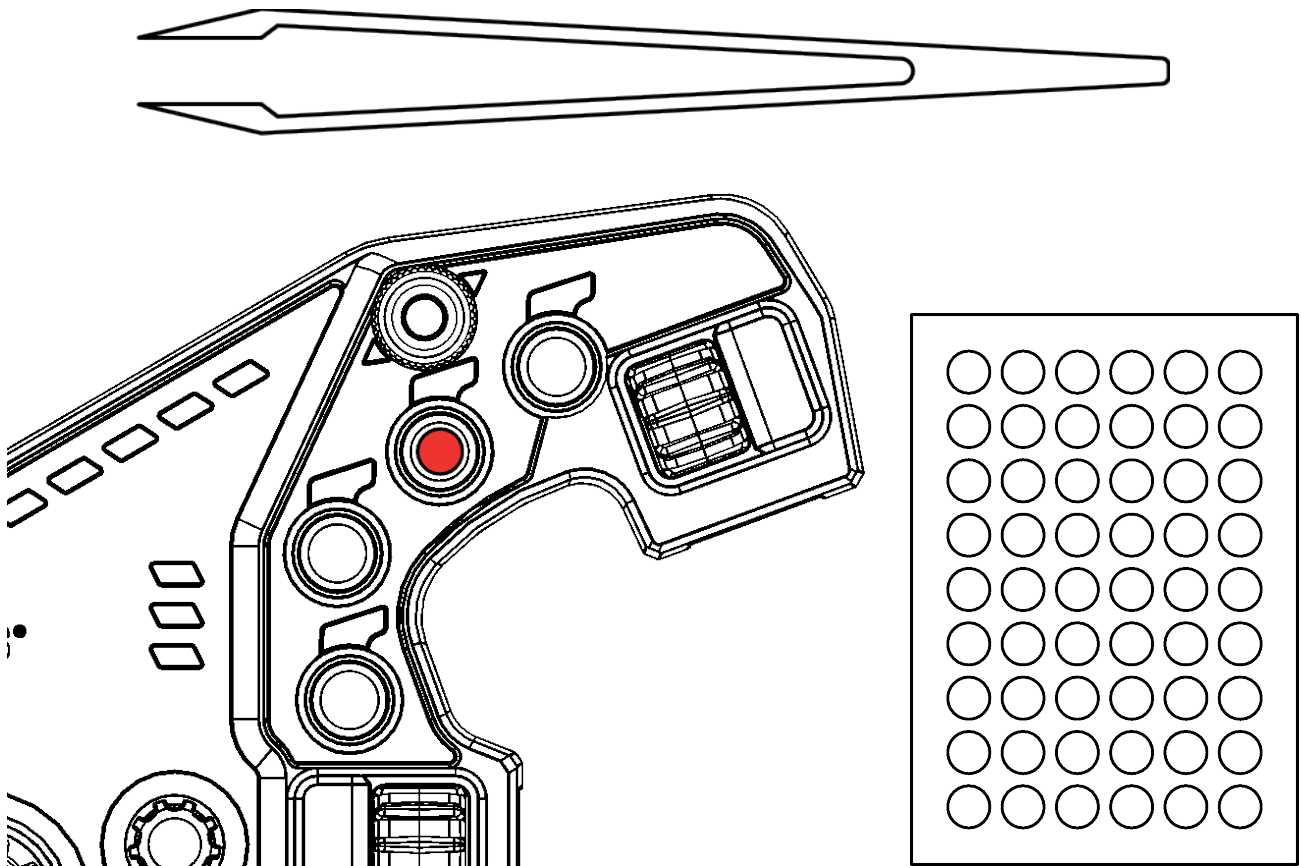
## Tools needed:

Carbon Fiber Tweezer (included)



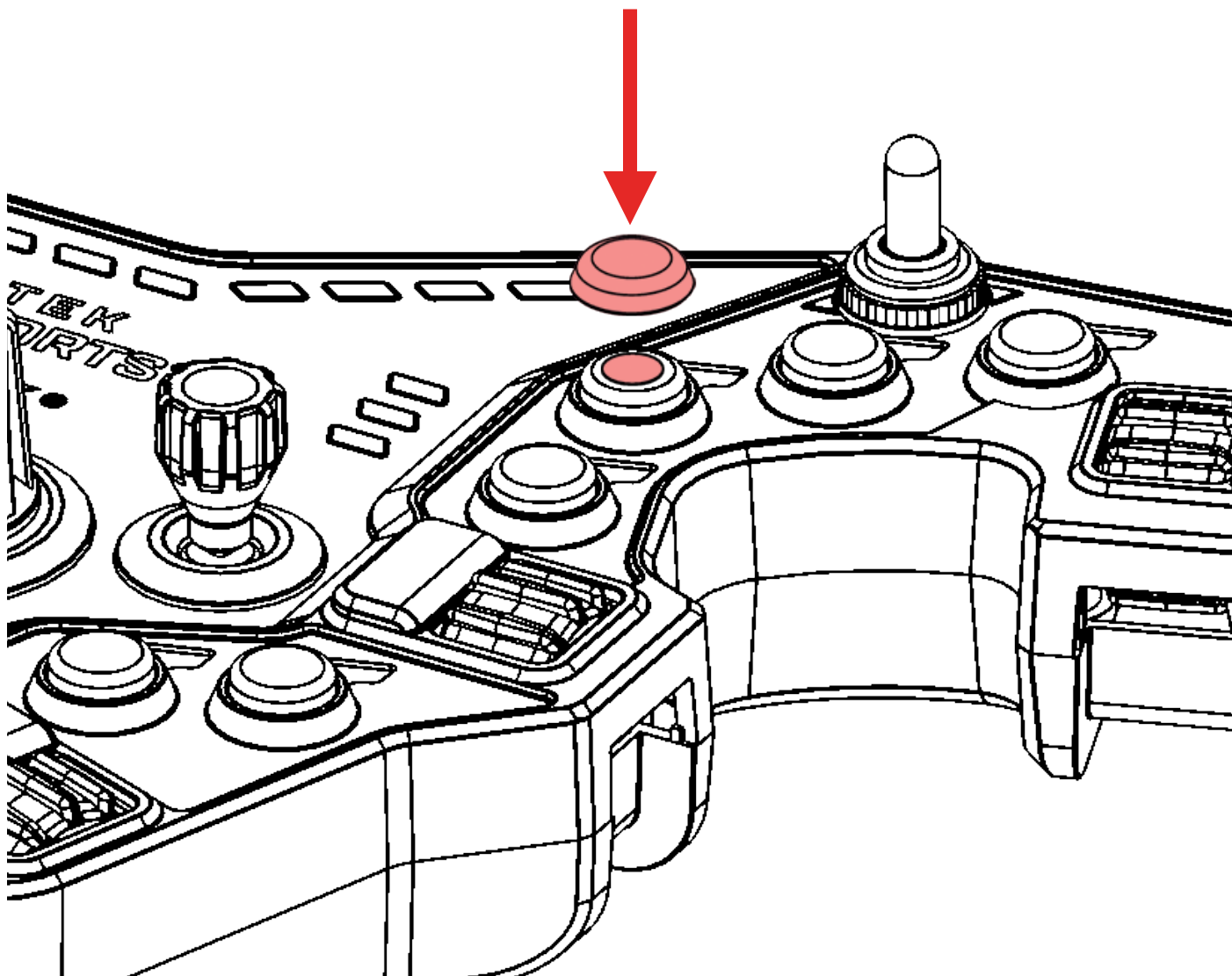
## Step 1:

With the carbon fiber tweezers take a piece of double-sided tape and place it on the button on the steering wheel.



## Step 2:

Place your preferred color button cap on top of the tape and push down firmly to secure it in place.



### Step 3:

Repeat for any buttons you want changed.

