


# Handles Installation Guide

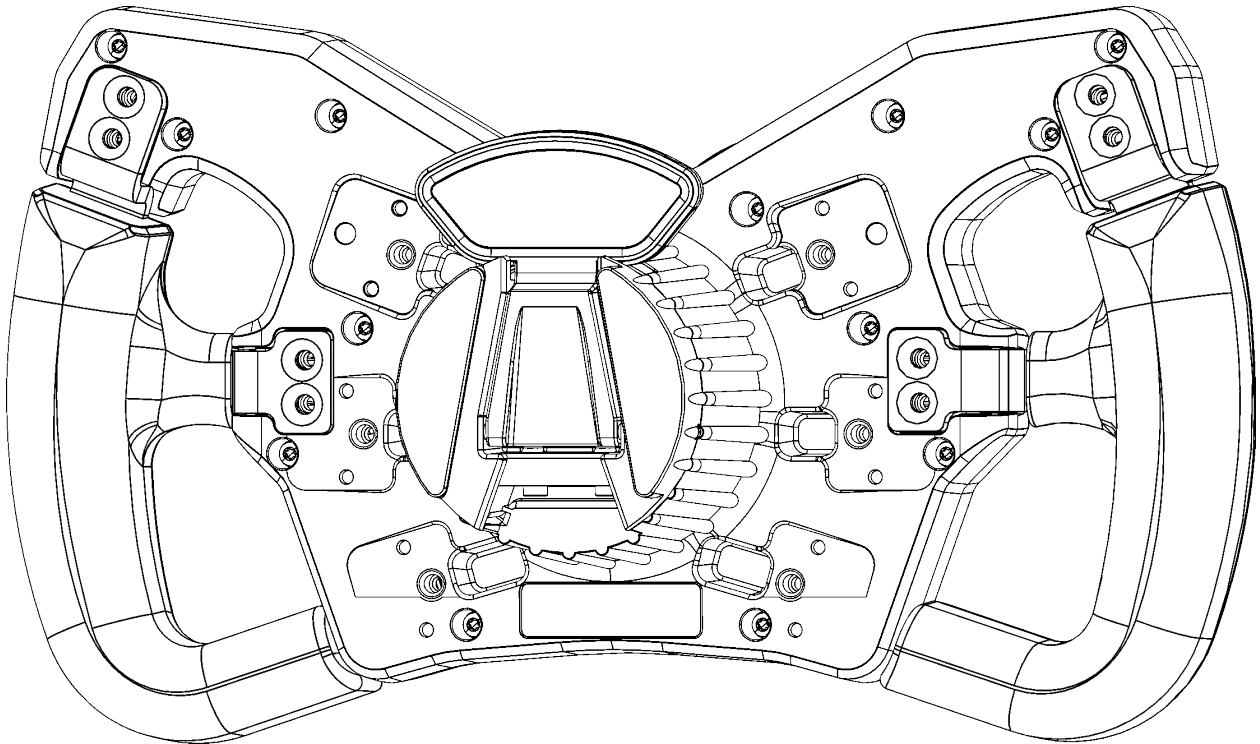


ASETEK  
SIM SPORTS®

# Handles:

## Tools needed:

Torx T20 key (included)   
8 x M4x10 Screws (included)

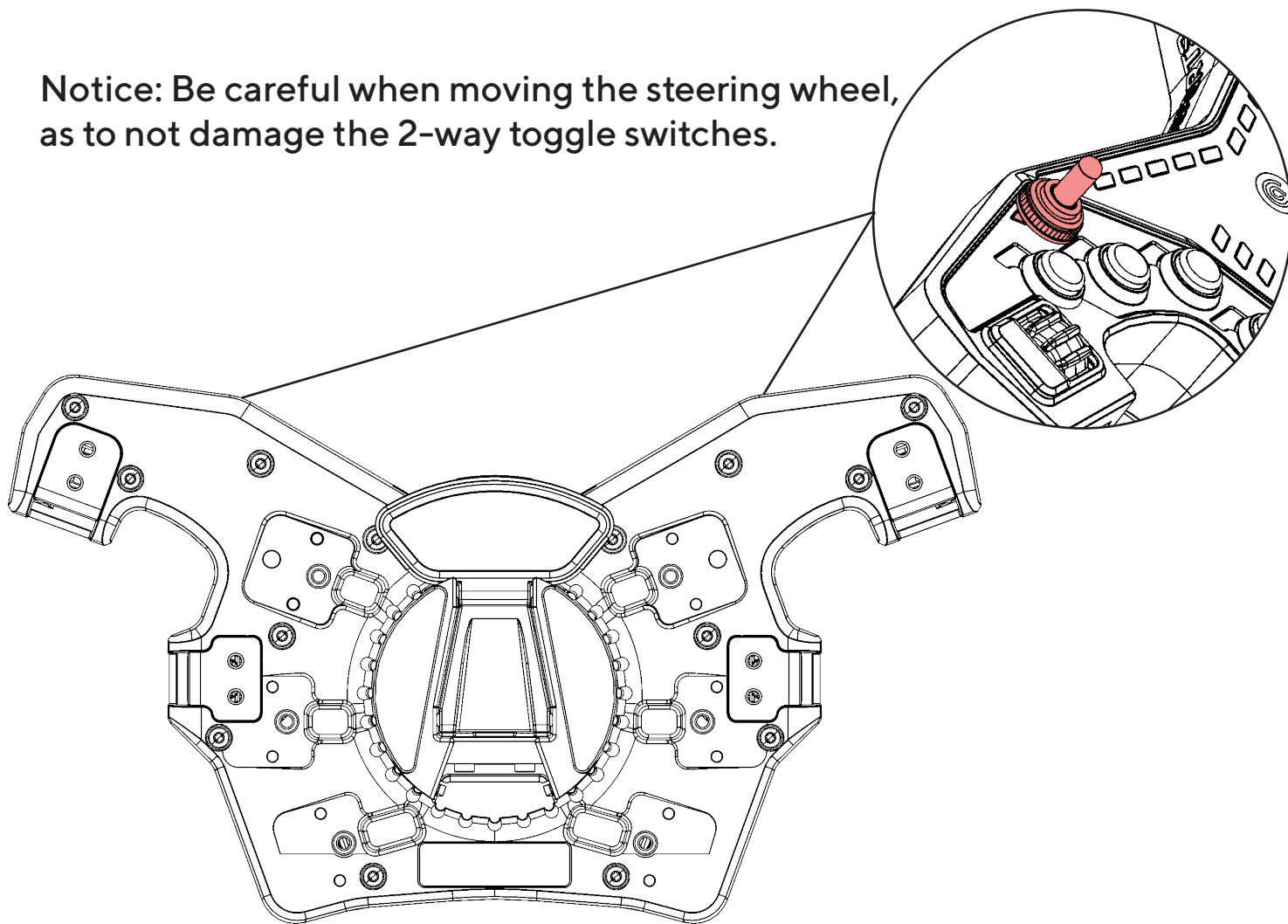


Notice: The illustrations used are of a Forte formula wheel and LMP Handles, these are just used as an example and the steps apply to all Asetek SimSports formula style wheels and handles.

## Step 1:

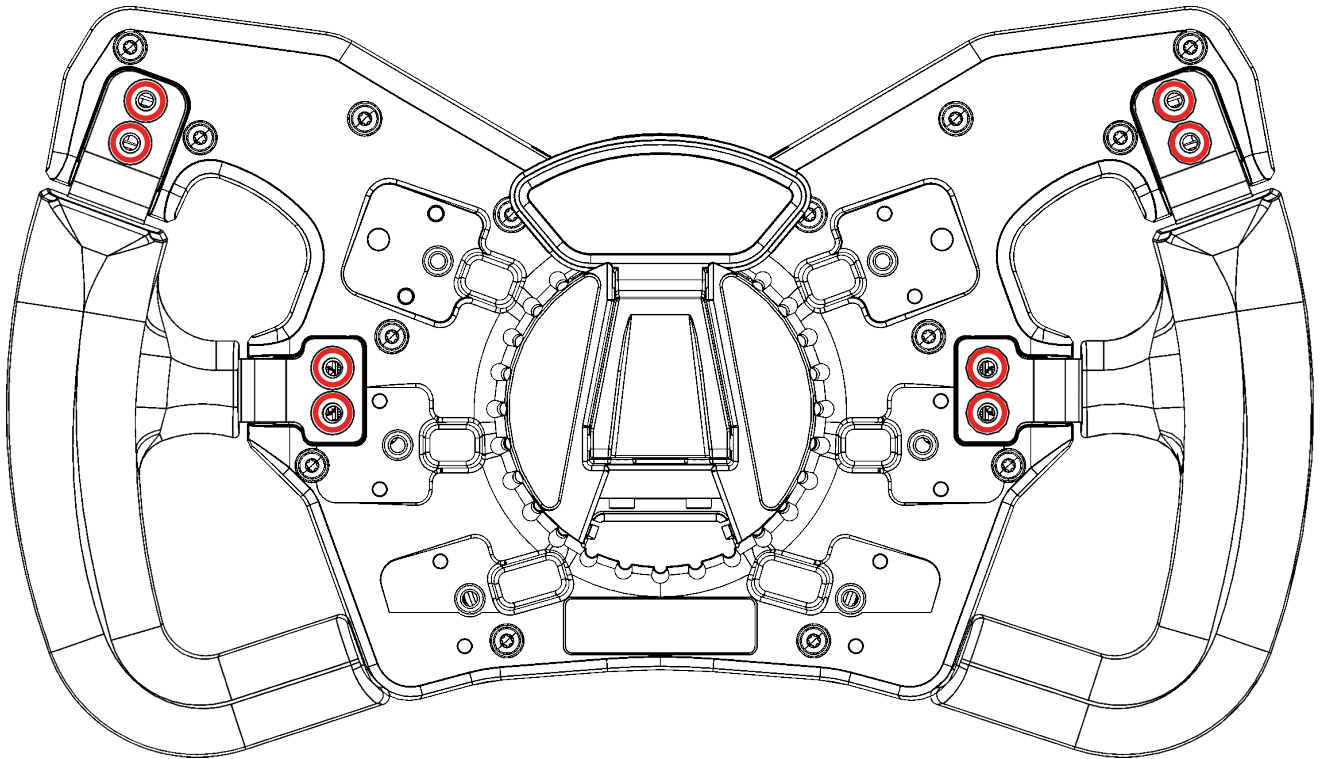
Place your steering wheel facing down - for example in the box it came in.

Notice: Be careful when moving the steering wheel, as to not damage the 2-way toggle switches.



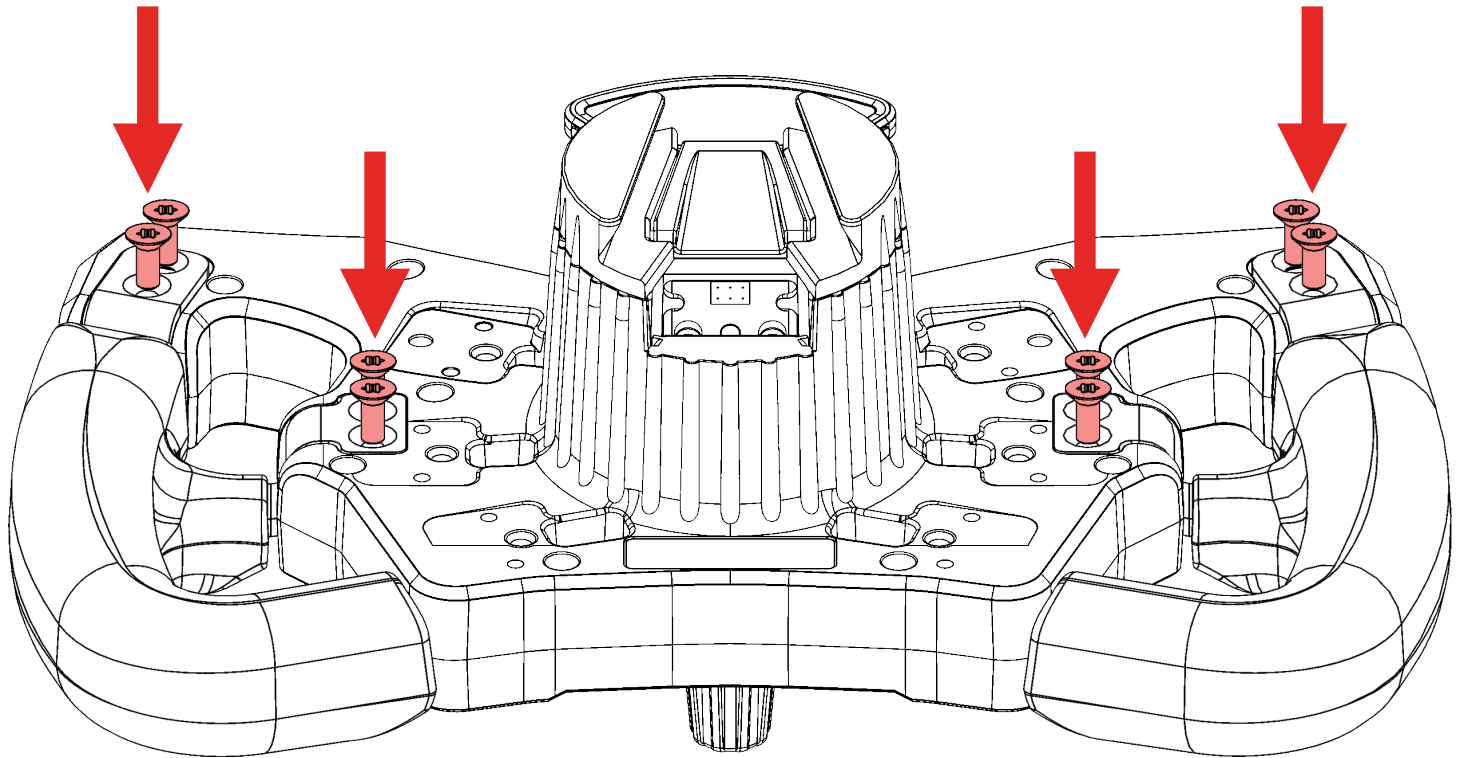
## Step 2:

Gently place the handles on the steering wheel, ensuring that the holes in the handles align with the holes in the steering wheel.



### Step 3:

Take the Torx T20 key and the eight(8) screws. Place them in the corresponding holes and tighten.



Notice: Be careful not to overtighten.