

Steering Wheel Button Color Kit



ASET EK
SIM SPORTS®

Table of contents

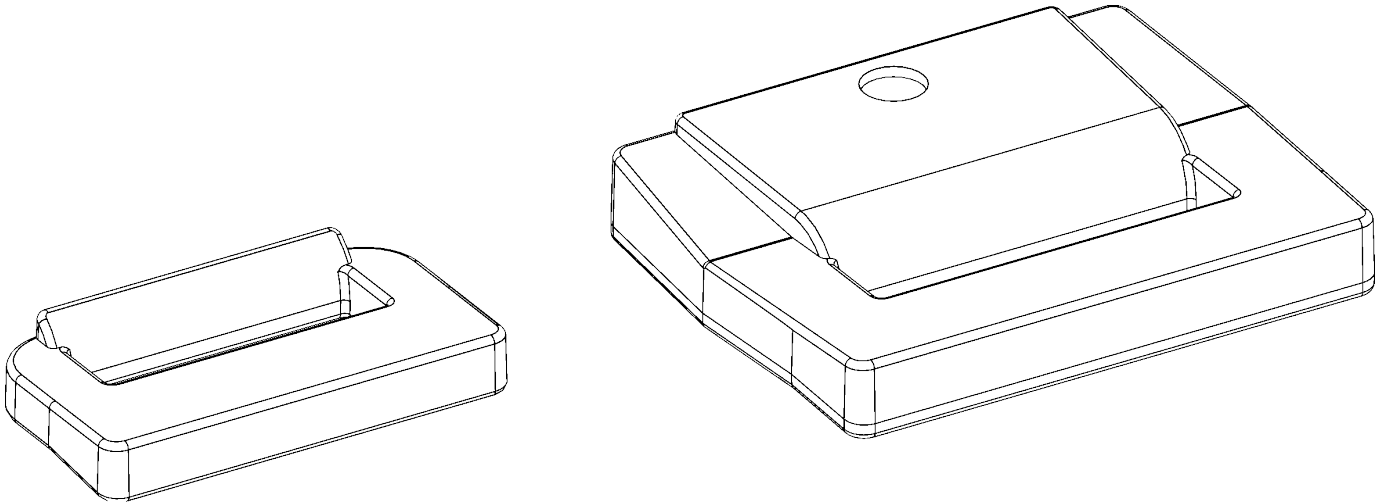
- **Handle Cushions**
- **Quick Release Latch Sticker**
- **Button Caps**

Handle Cushions:

Tools needed:

2,5 mm Allen key - for removing shifters 

Torx T20 screwdriver - for removing handles 

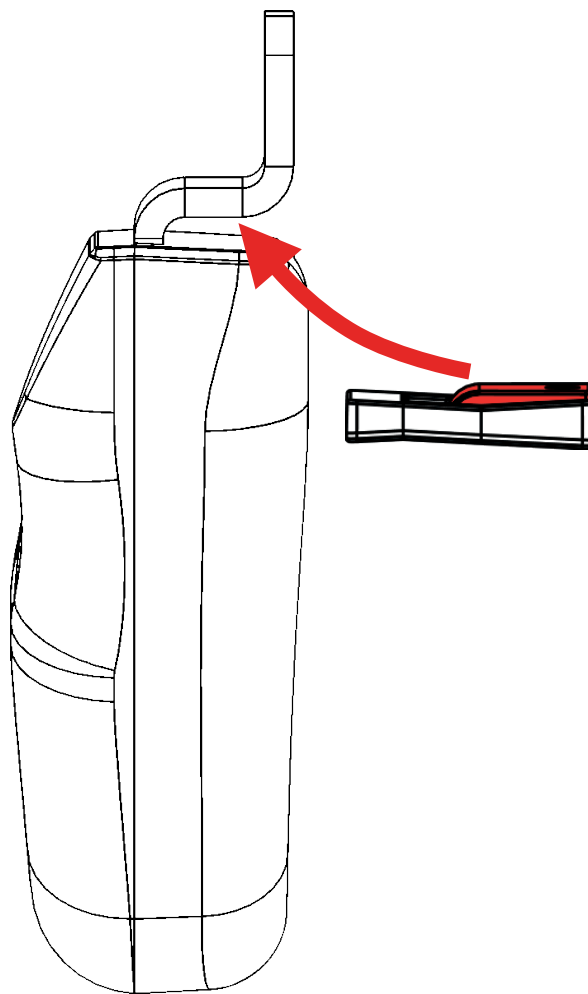
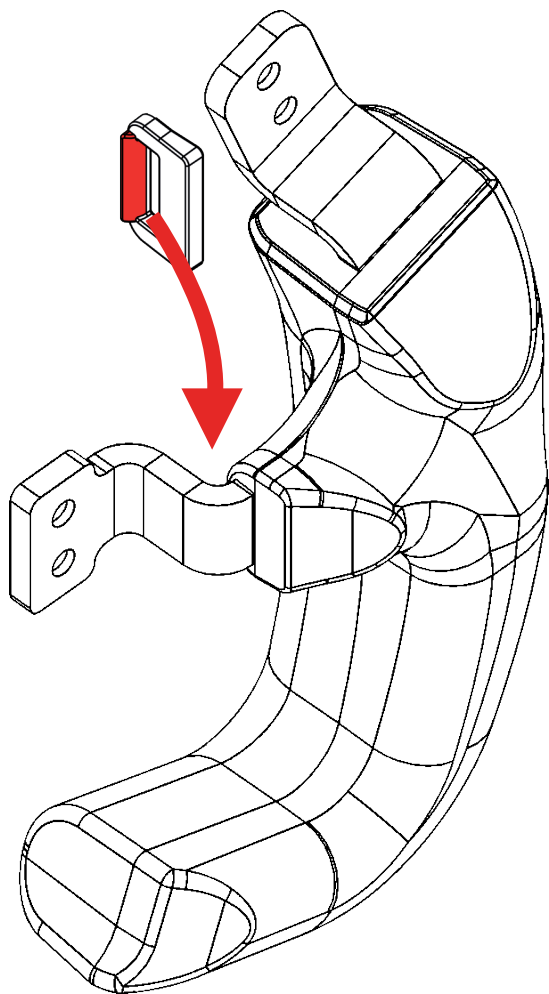


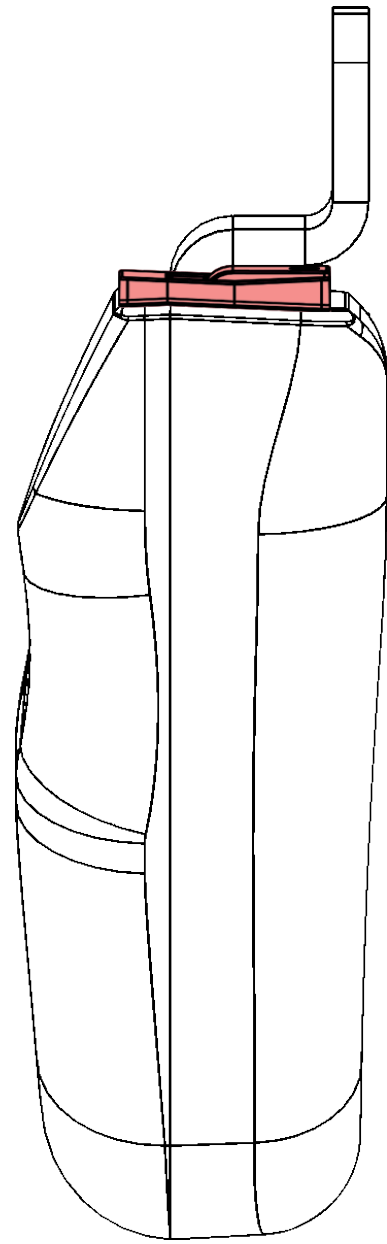
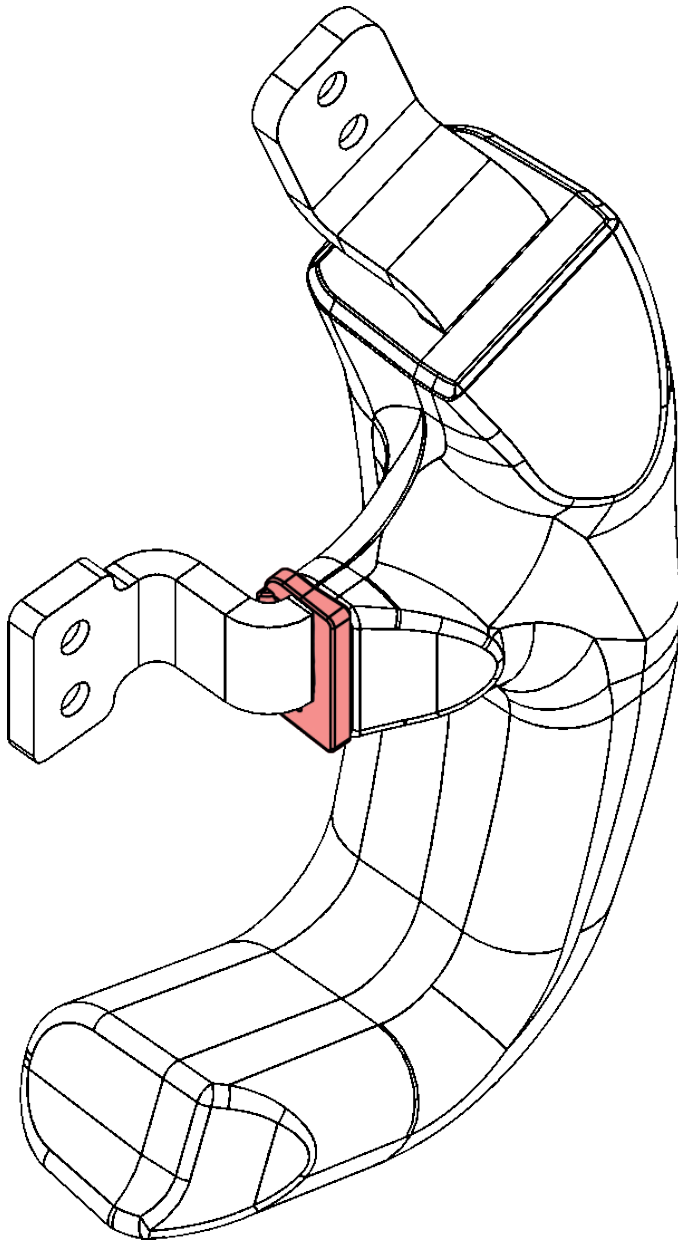
Notice:

- The handles and wheel used in these illustrations are just an example and yours may vary.
- If your handle is attached to your wheel, you'll need to dismount it before moving to step one.
- You'll need to remove the shifter in order to dismount the handles

Step 1:

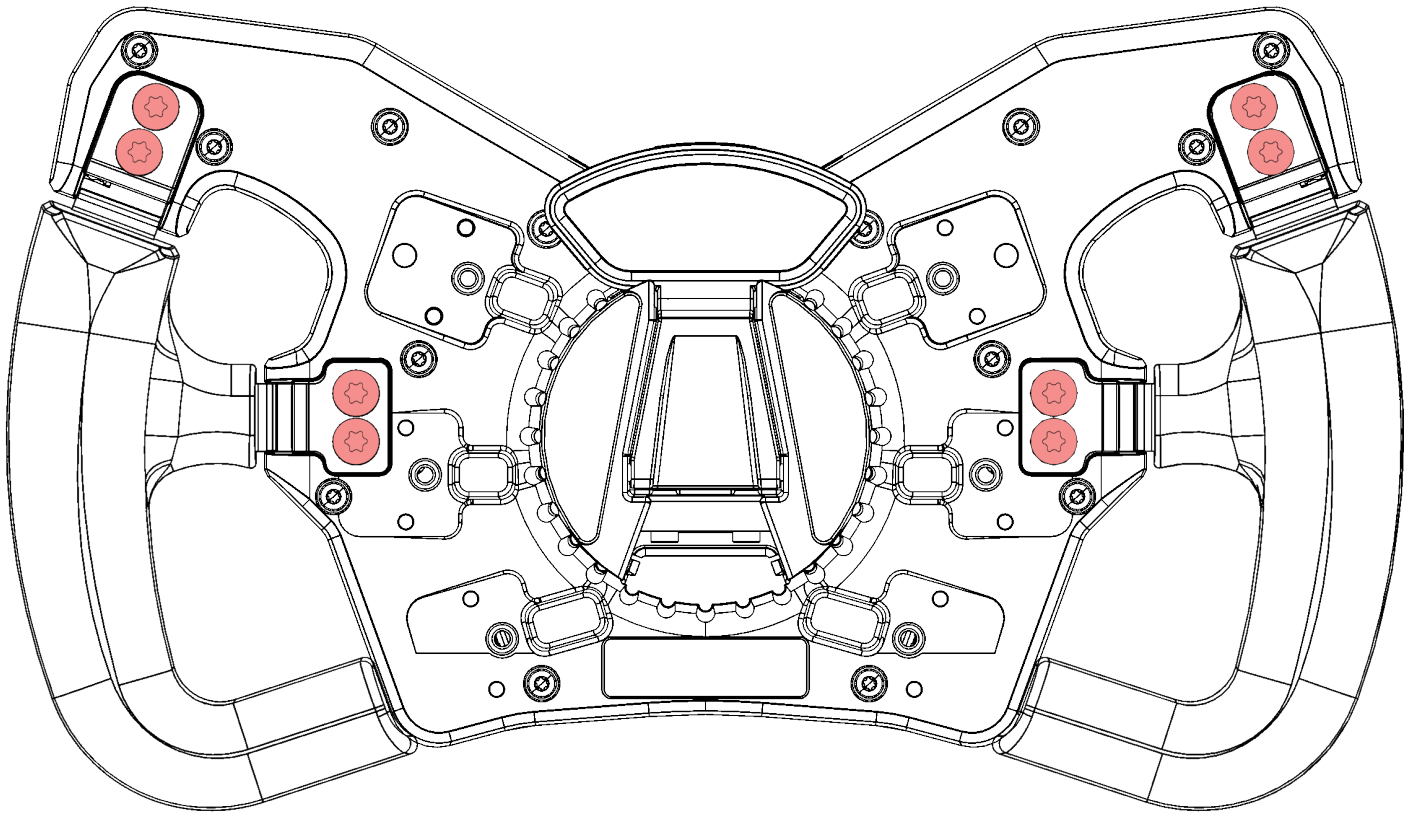
Place your preferred handle cushion on your handle. Make sure the plastic bump is facing the metal.





Step 2:

Place your handles on your formula steering wheel and tighten the Torx T20 screws to secure it in place.

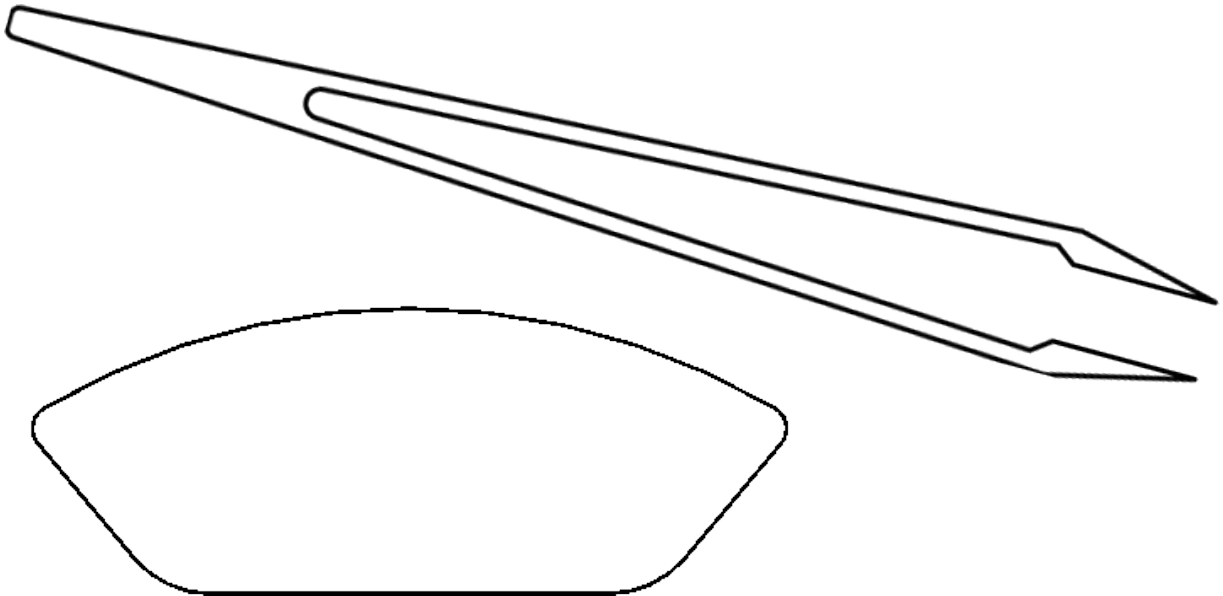


Notice: Be careful not to overtighten.

Quick Release Latch Sticker:

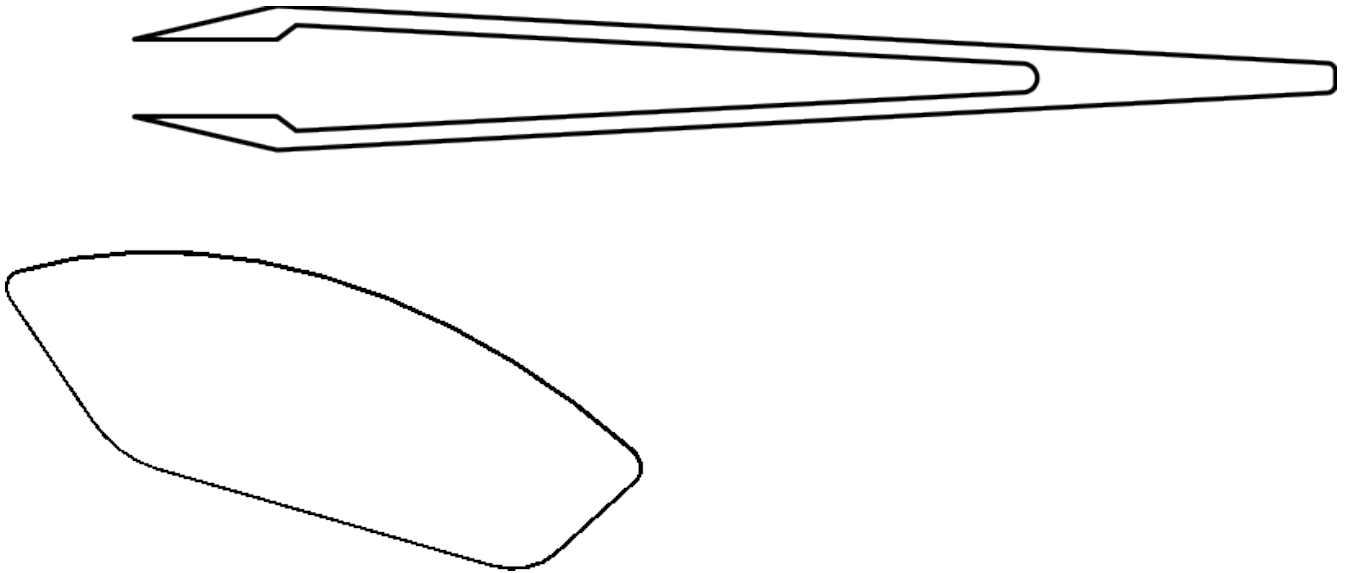
Tools needed:

Carbon Fiber Tweezer (included)



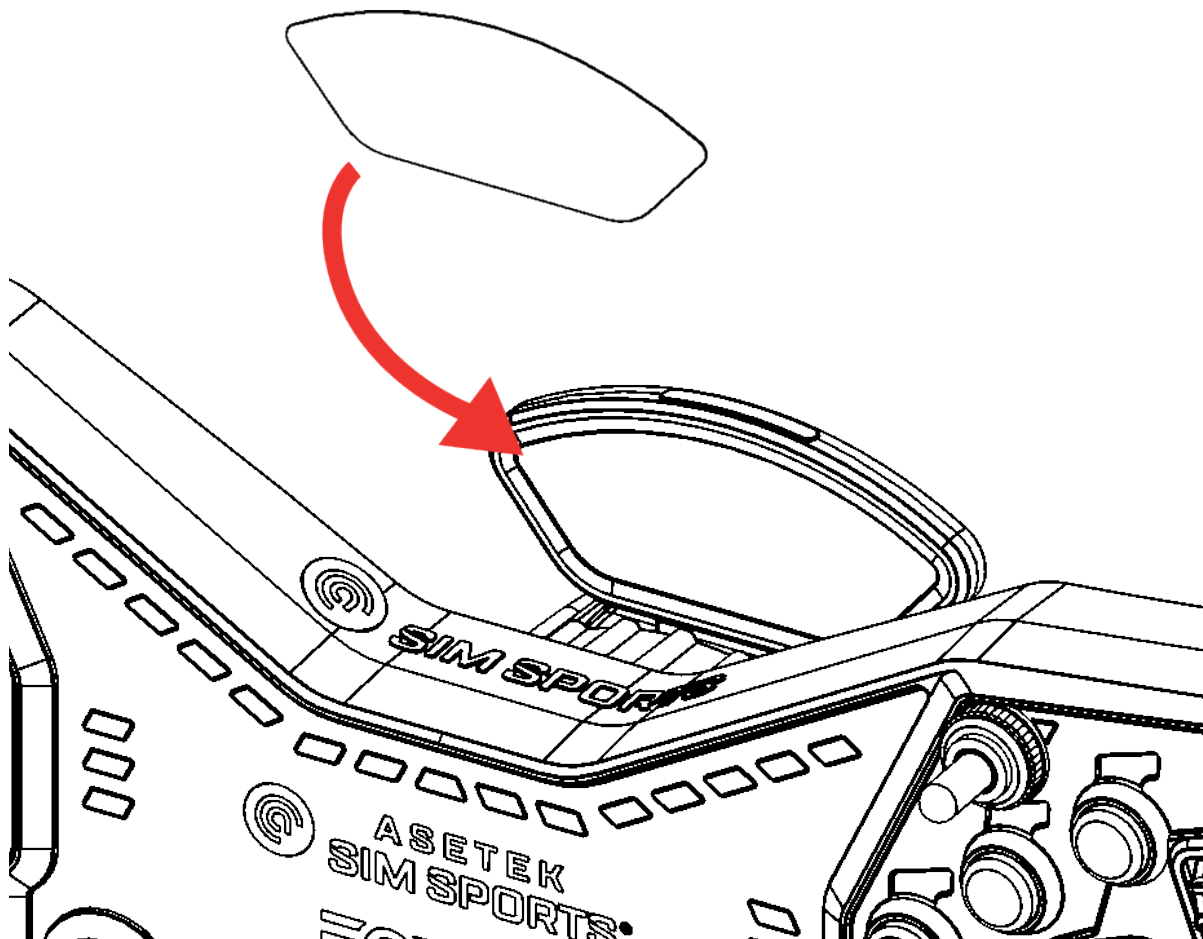
Step 1:

Grab your preferred color QR latch sticker with the carbon fiber tweezer.



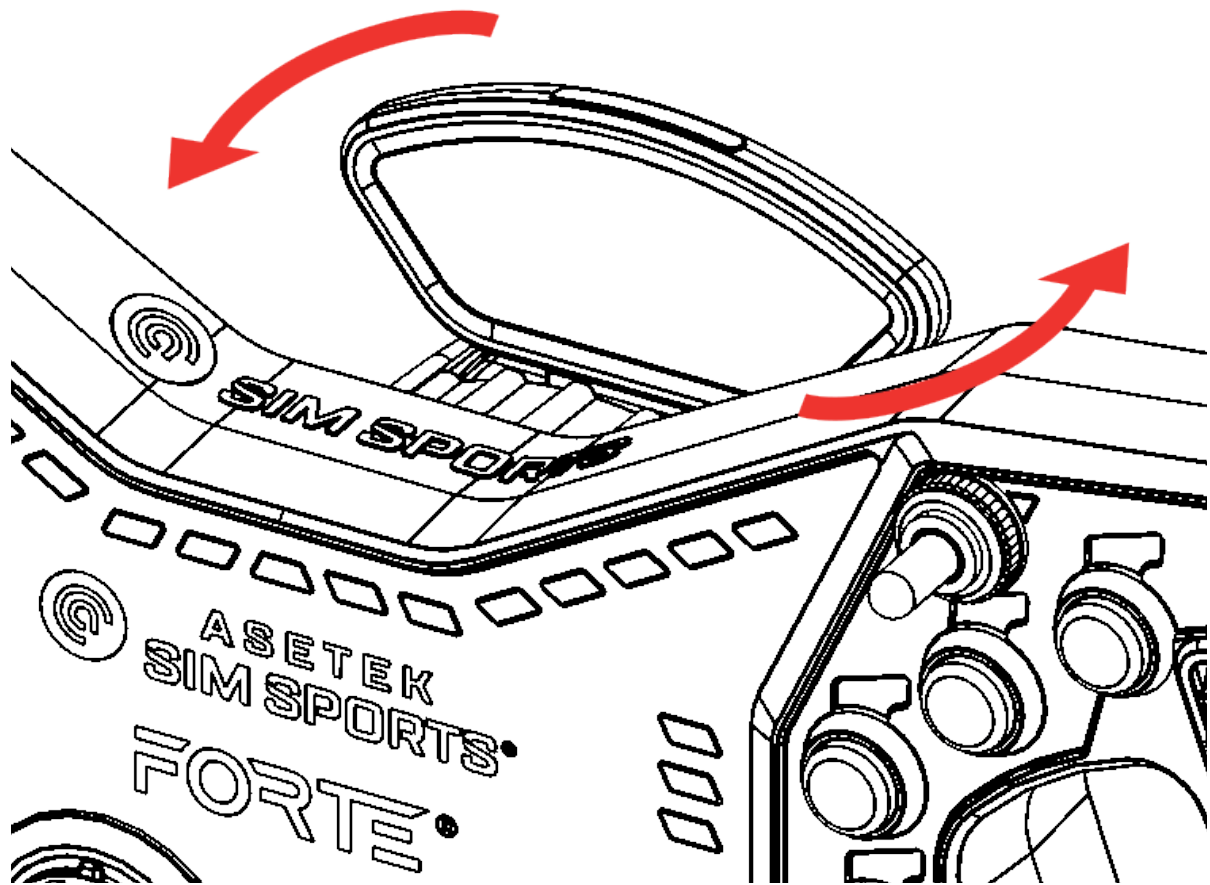
Step 2:

Carefully place the QR latch sticker on the QR latch.



Step 3:

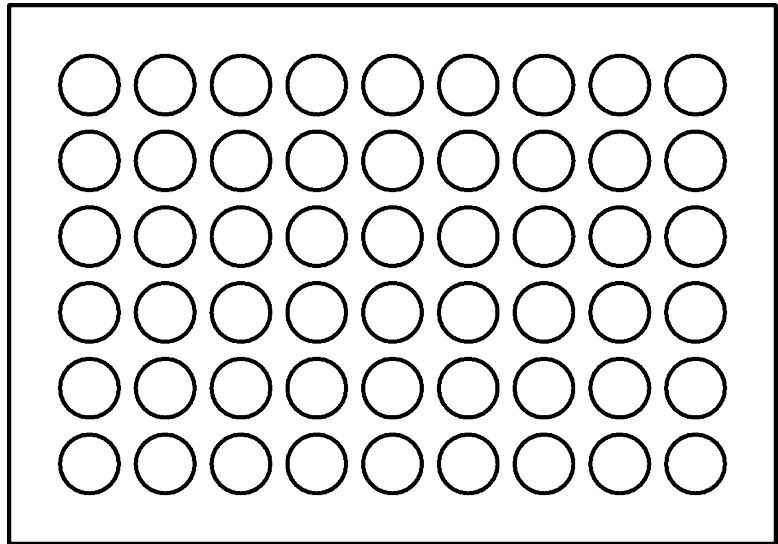
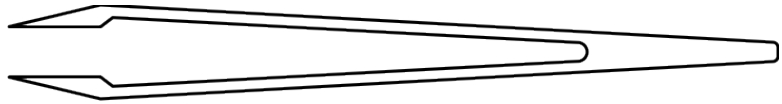
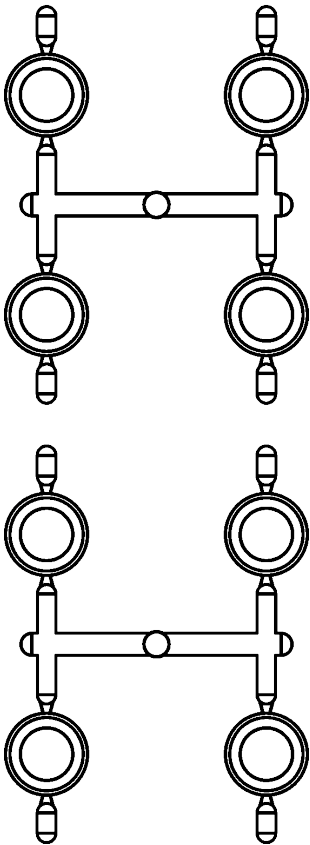
Repeat on the other side.



Button Caps:

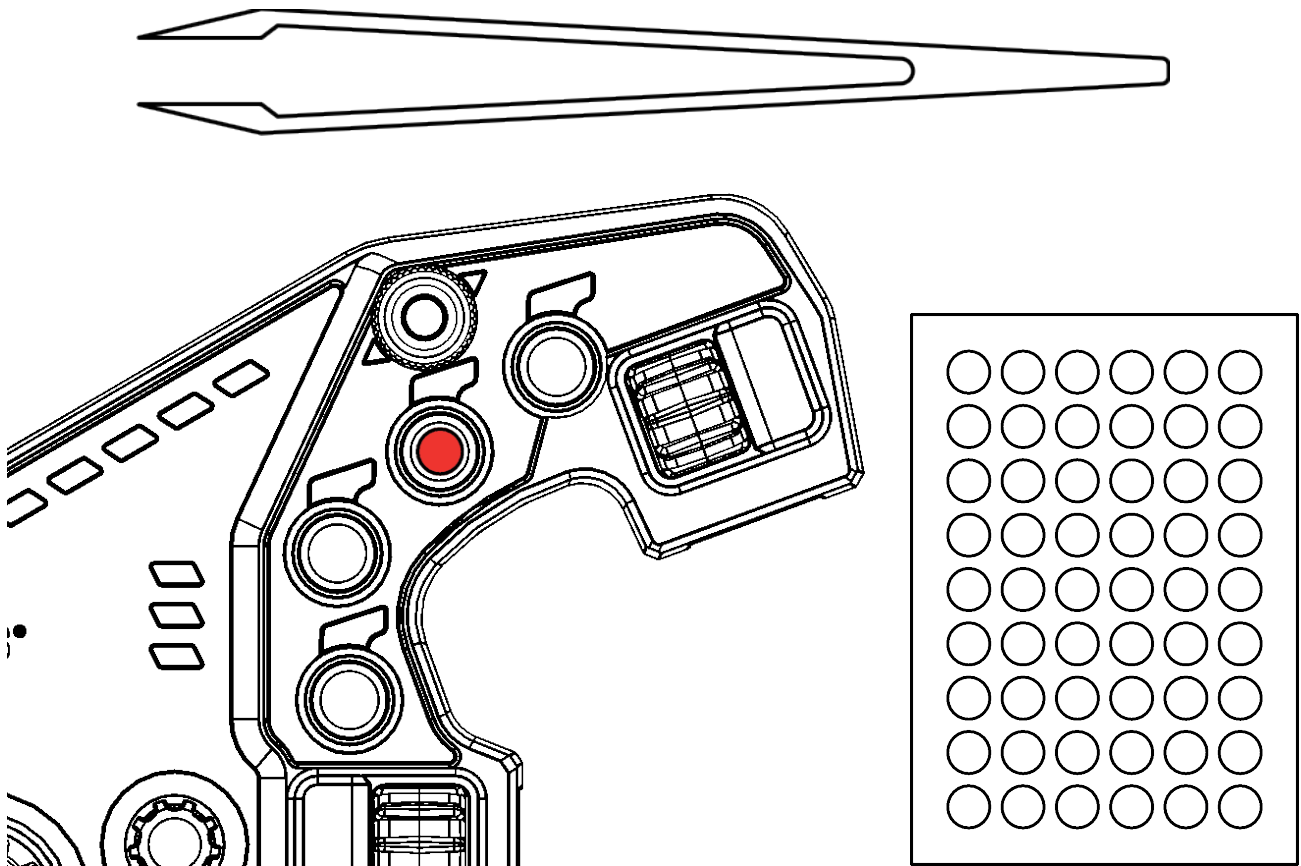
Tools needed:

Carbon Fiber Tweezer (included)



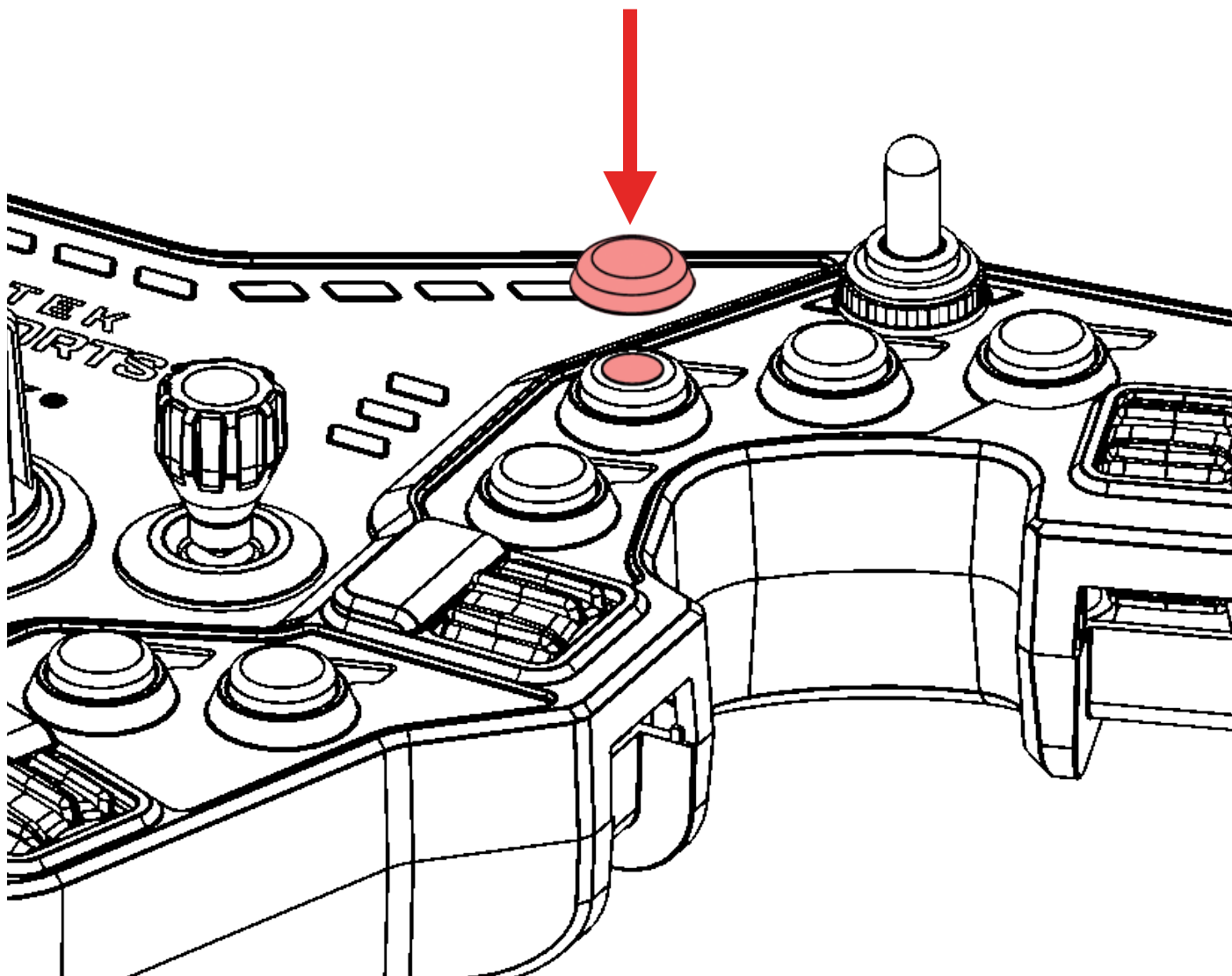
Step 1:

With the carbon fiber tweezers take a piece of double-sided tape and place it on the button on the steering wheel.



Step 2:

Place your preferred color button cap on top of the tape and push down firmly to secure it in place.



Step 3:

Repeat for any buttons you want changed.

