

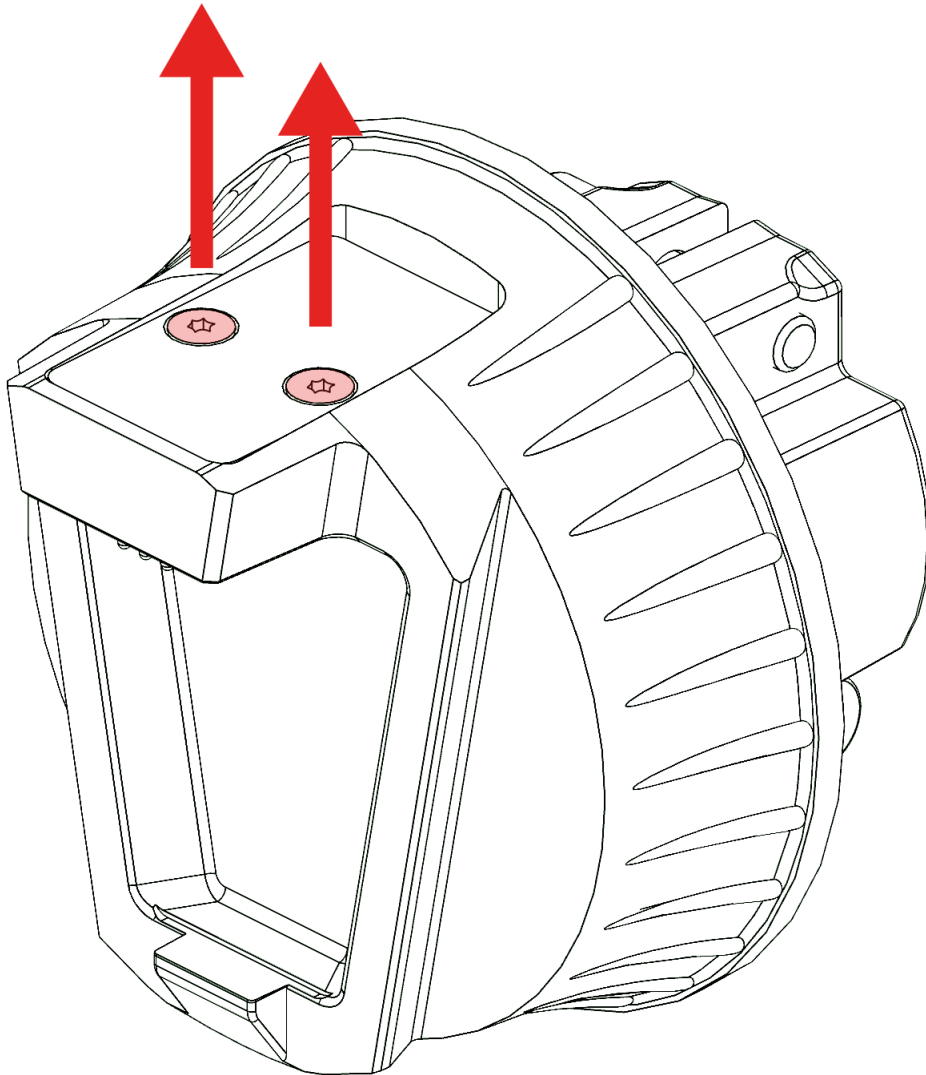
QR PCB-A Installation Guide



ASETEK
SIM SPORTS®

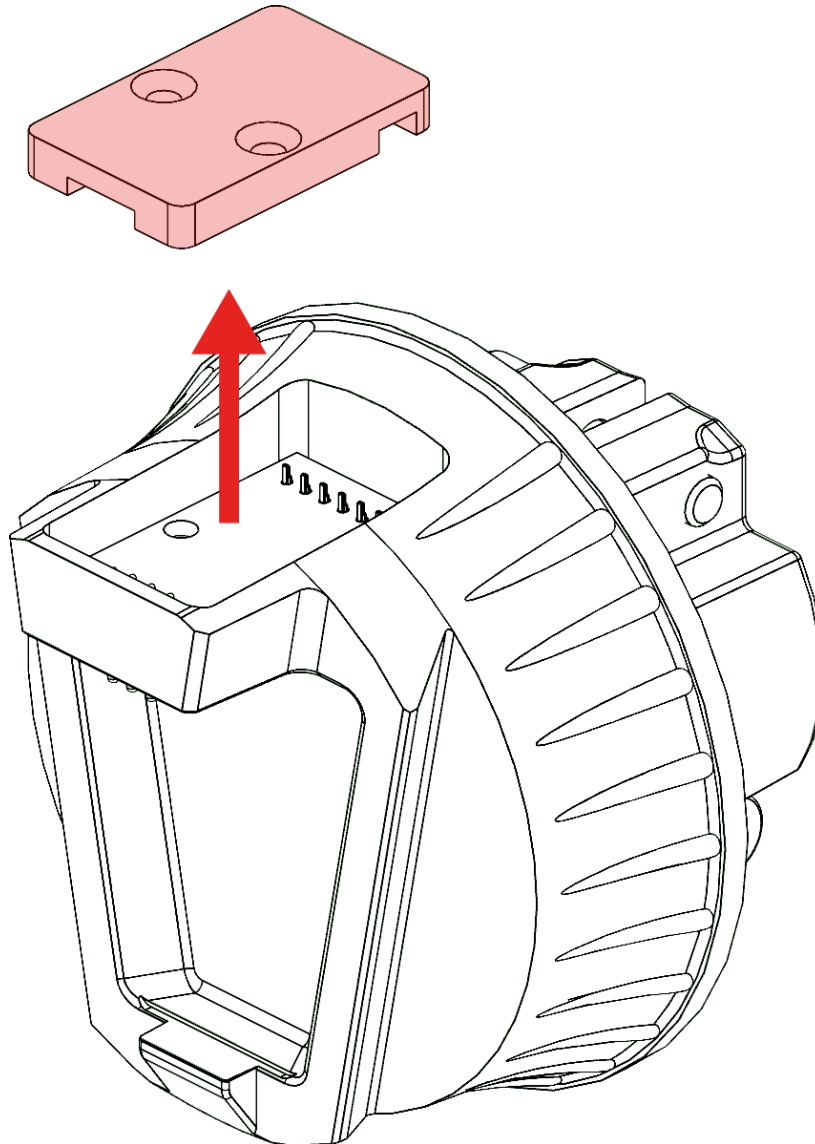
Step 1:

Without power connected to your wheelbase, turn the QR upwards and unscrew the two(2) Torx T10 screws holding the PCB-A cover in place.



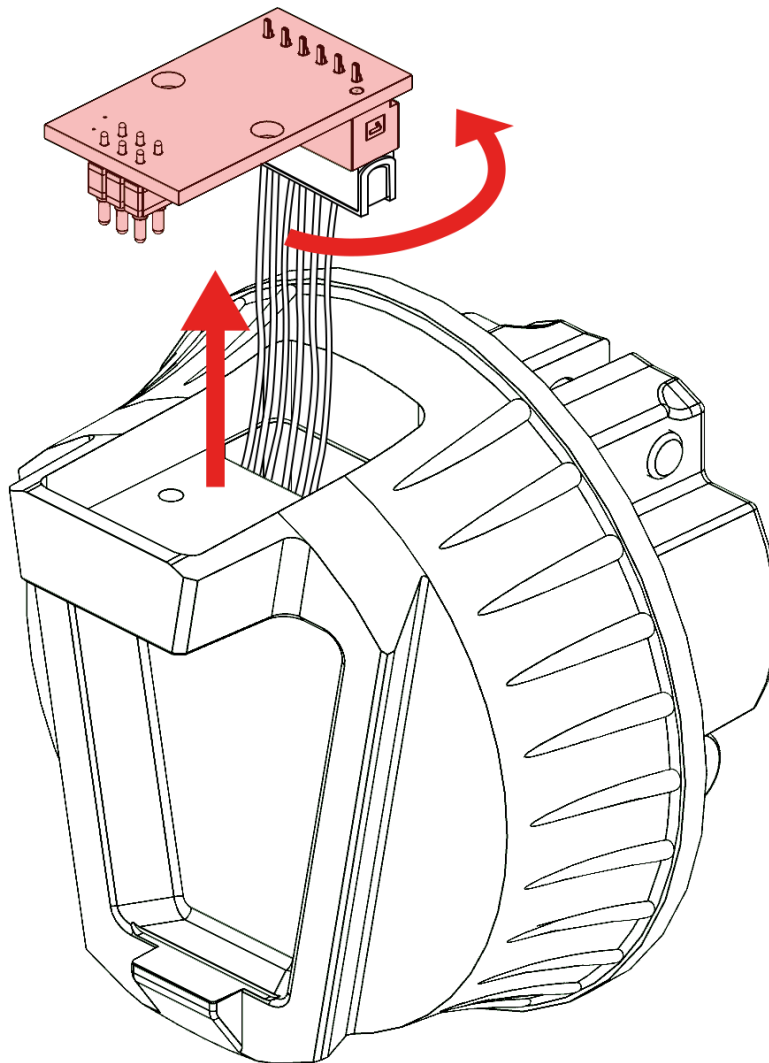
Step 2:

Carefully lift the PCB-A cover.



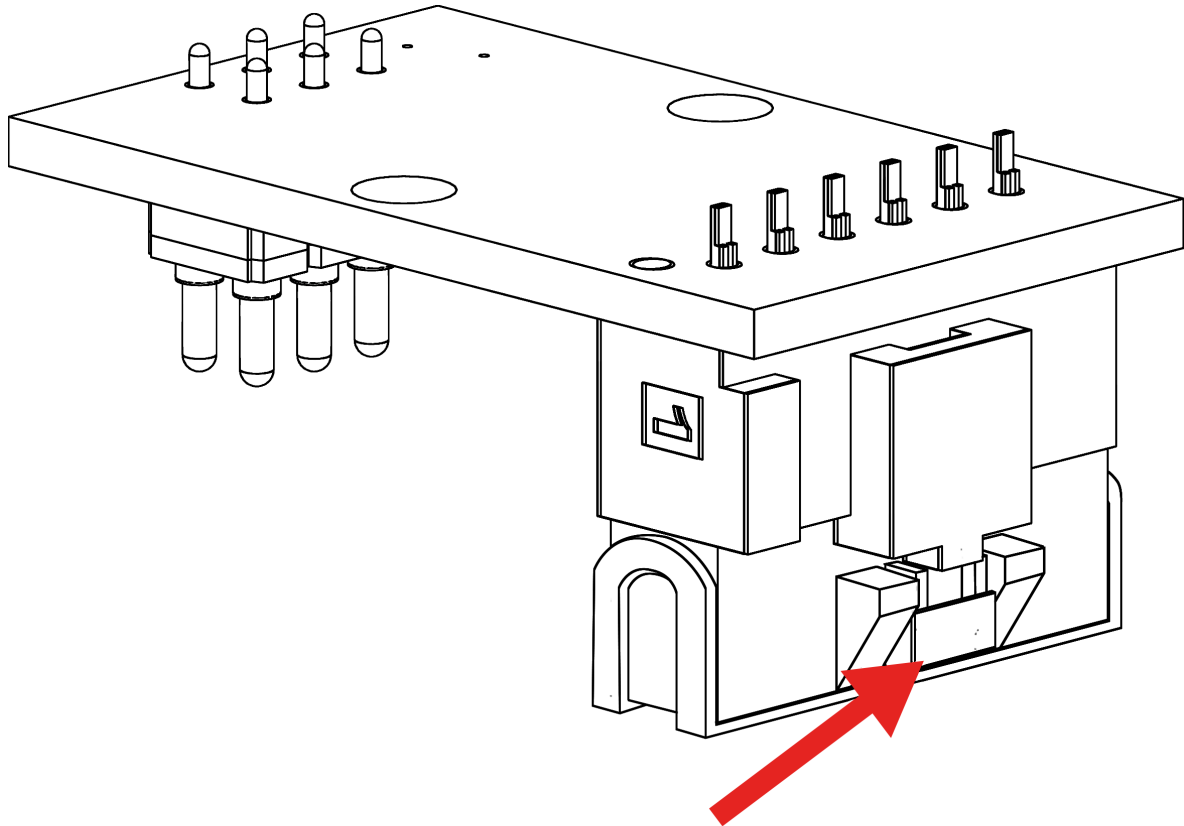
Step 3:

Gently lift and rotate the damaged PCB-A until it is free of the wheelbase.
Note: The rotation can be either clockwise or anticlockwise.



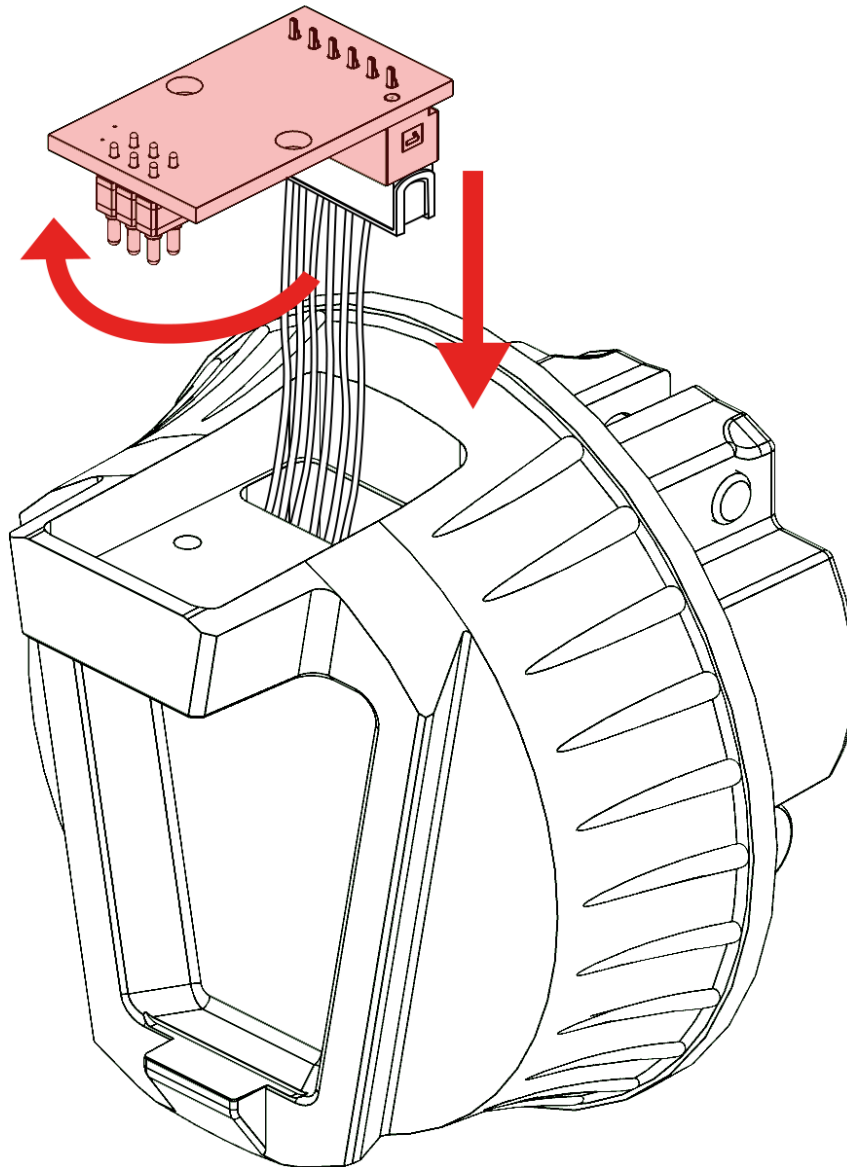
Step 4:

Press the small latch on the connector and gently detach the damaged PCB-A.



Step 5:

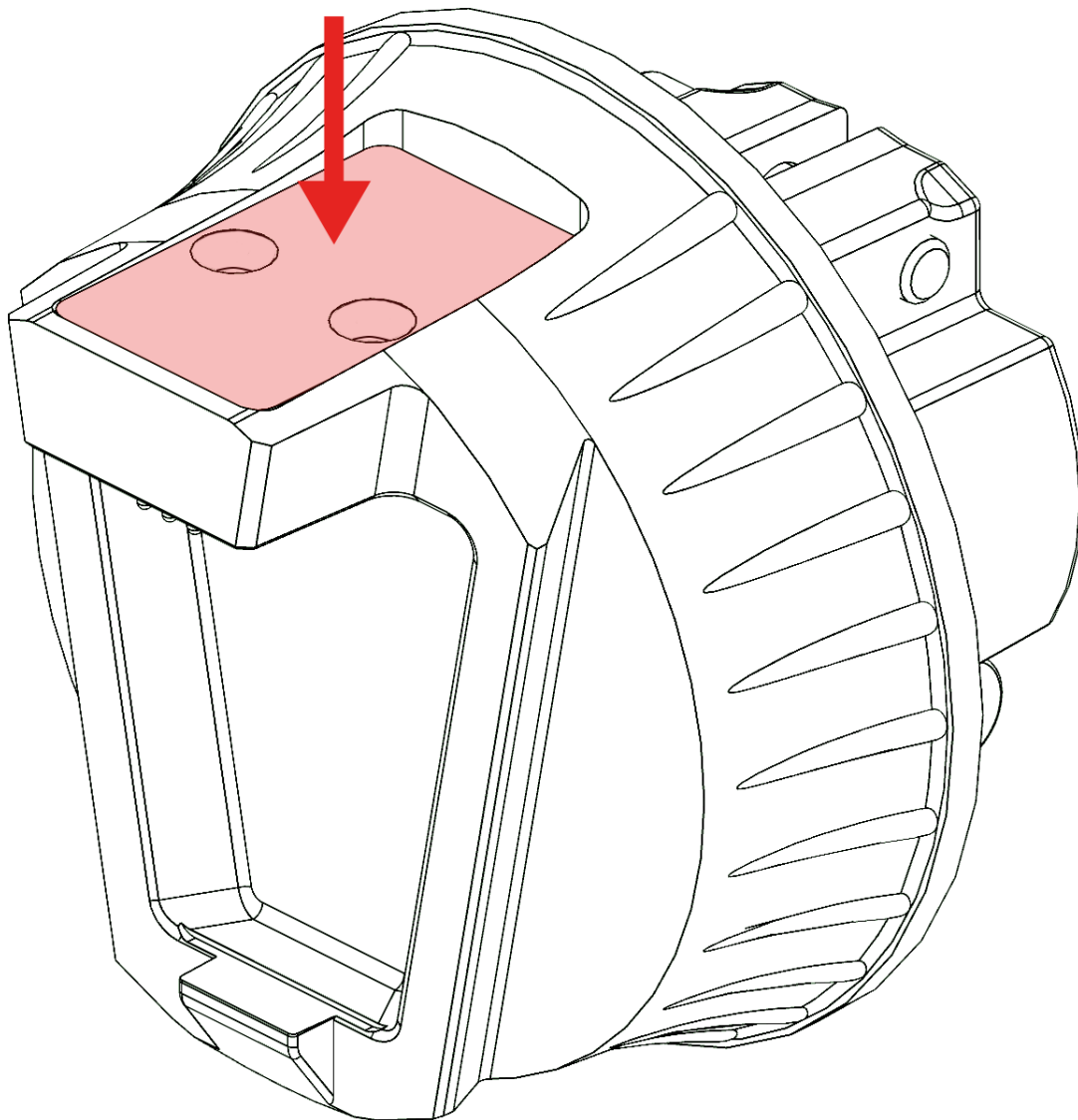
Connect the new PCB-A and rotate the wires until the PCB-A fits into place.



Step 6:

Place the cover back on top of the PCB-A.

Note: Make sure the grooves in the lid matches the pins on the back of the PCB-A.



Step 5:

Align the two(2) Torx T10 screws with the holes in the PCB-A cover and screw them back in.

